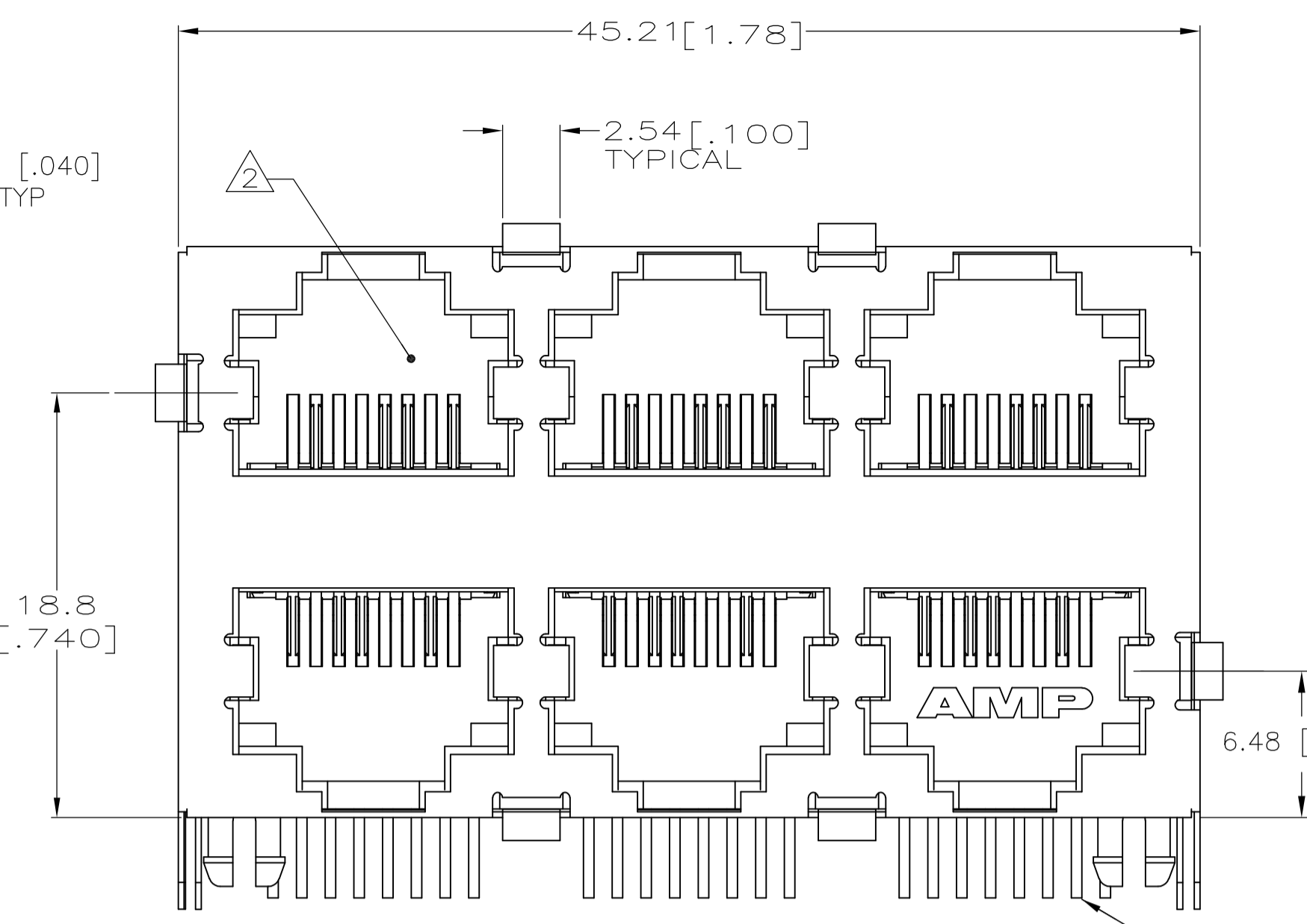
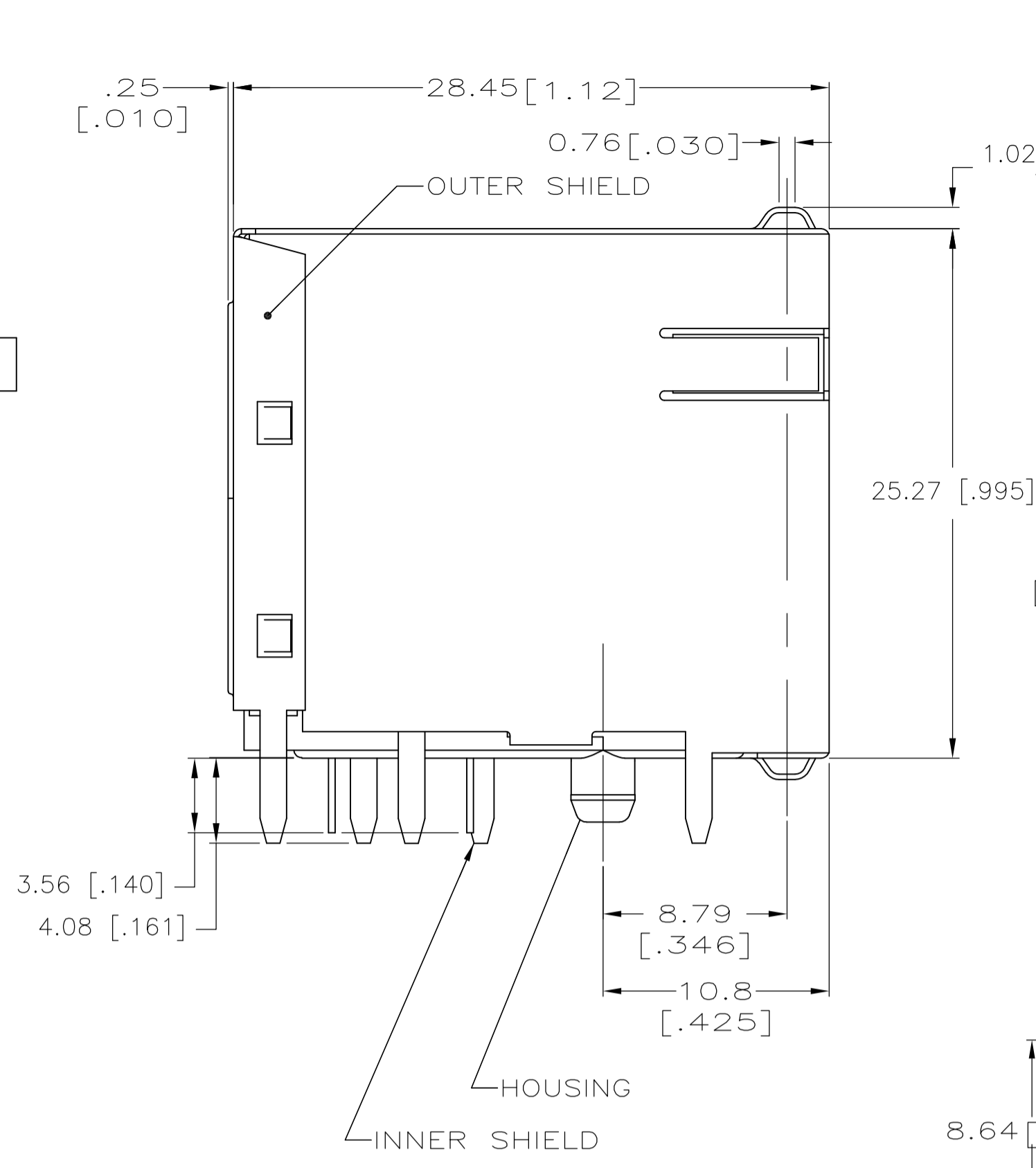
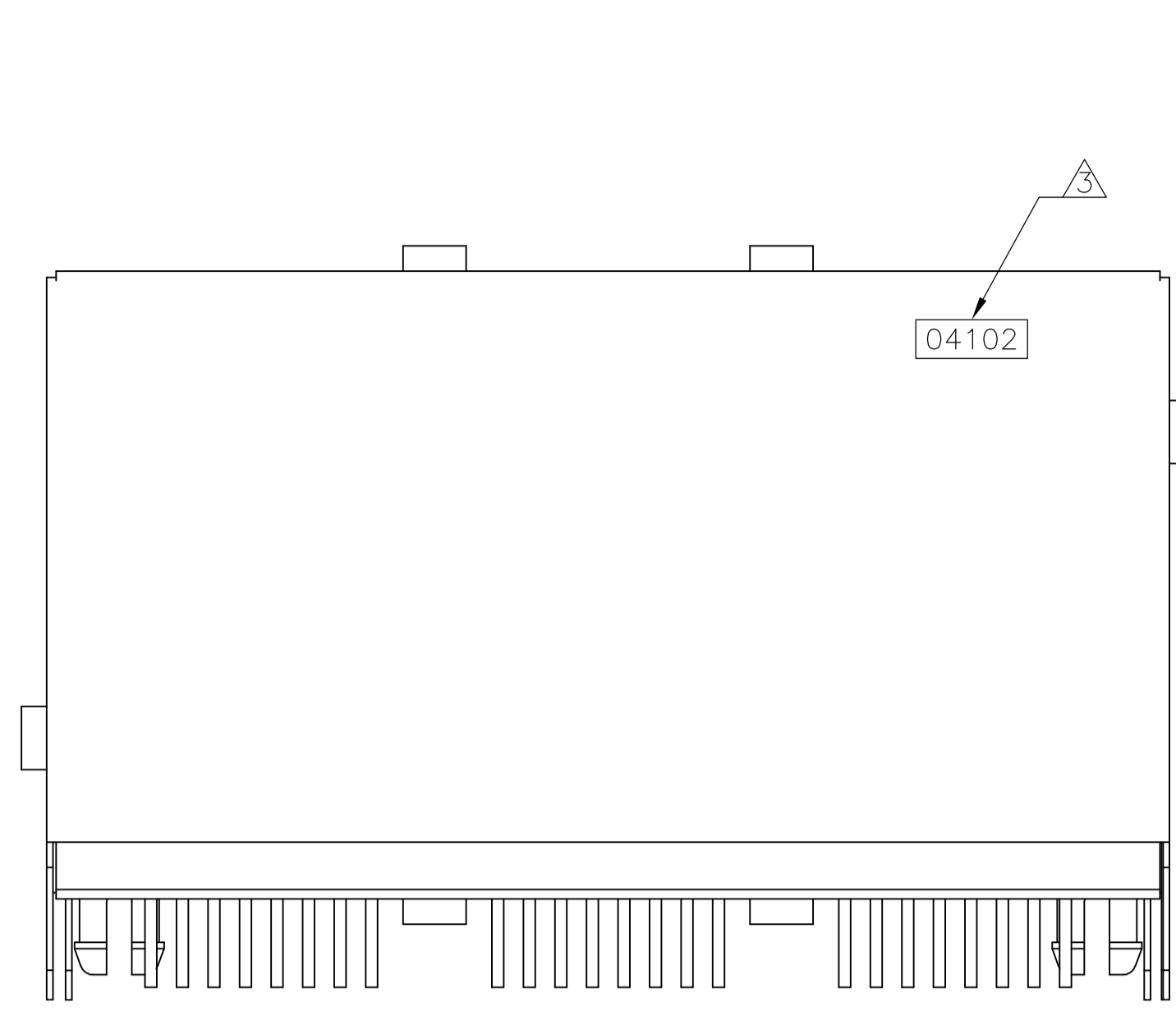


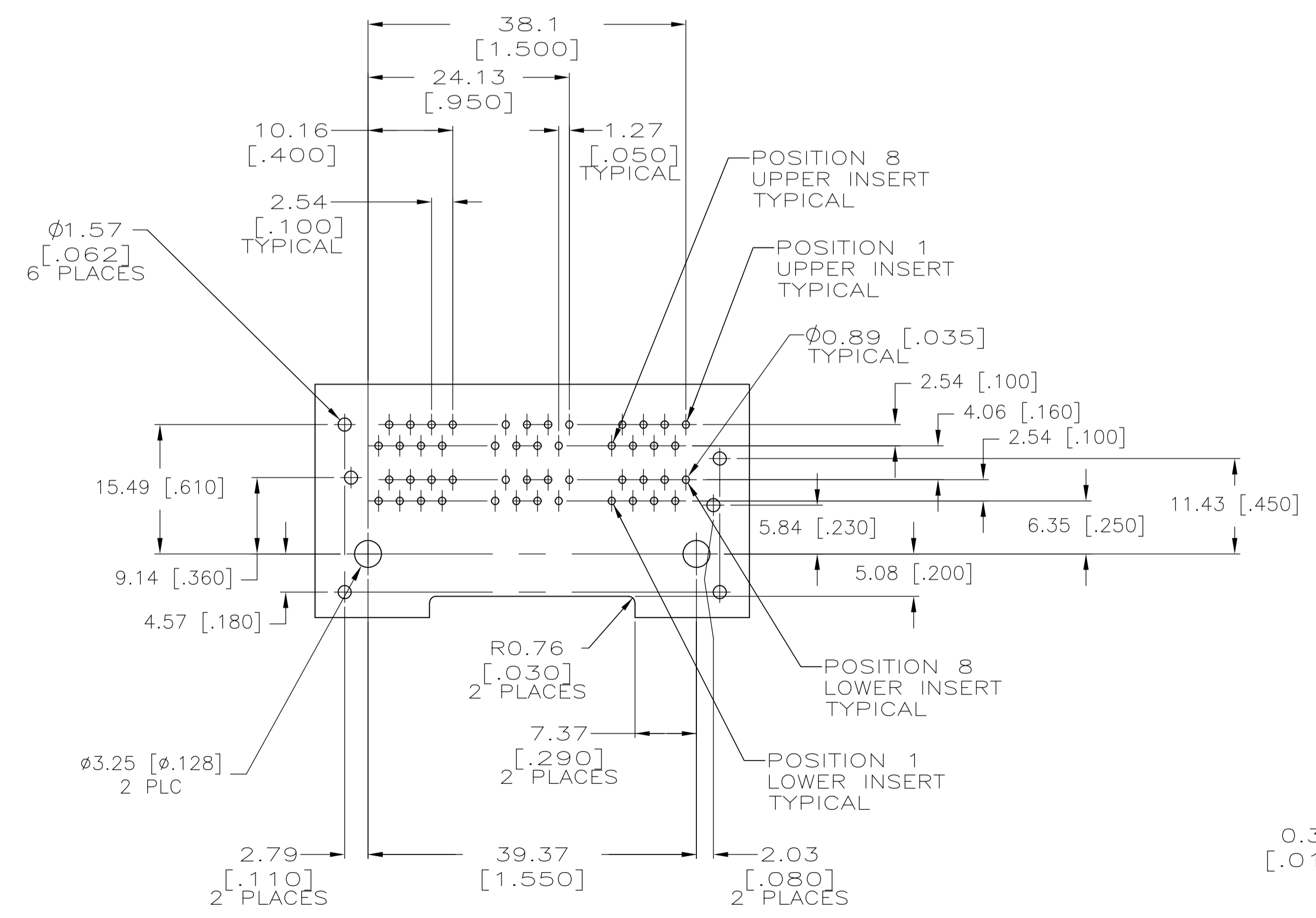
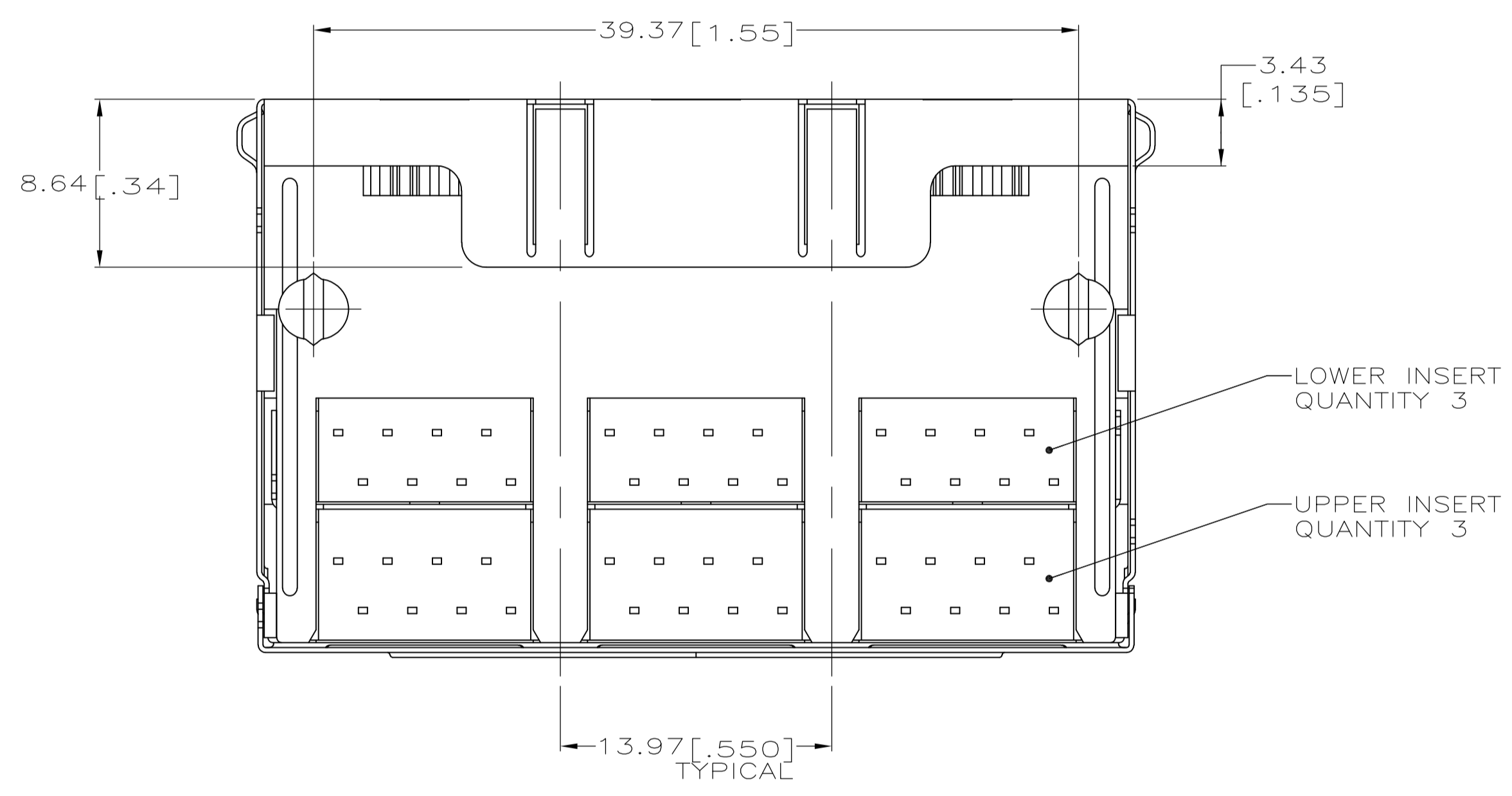
LOC		DIST		REVISIONS			
AA	22	F	LTR	DESCRIPTION	DATE	DWN	APVD
		D		REV PER ECO-06-027808	23JAN07	TK	JW



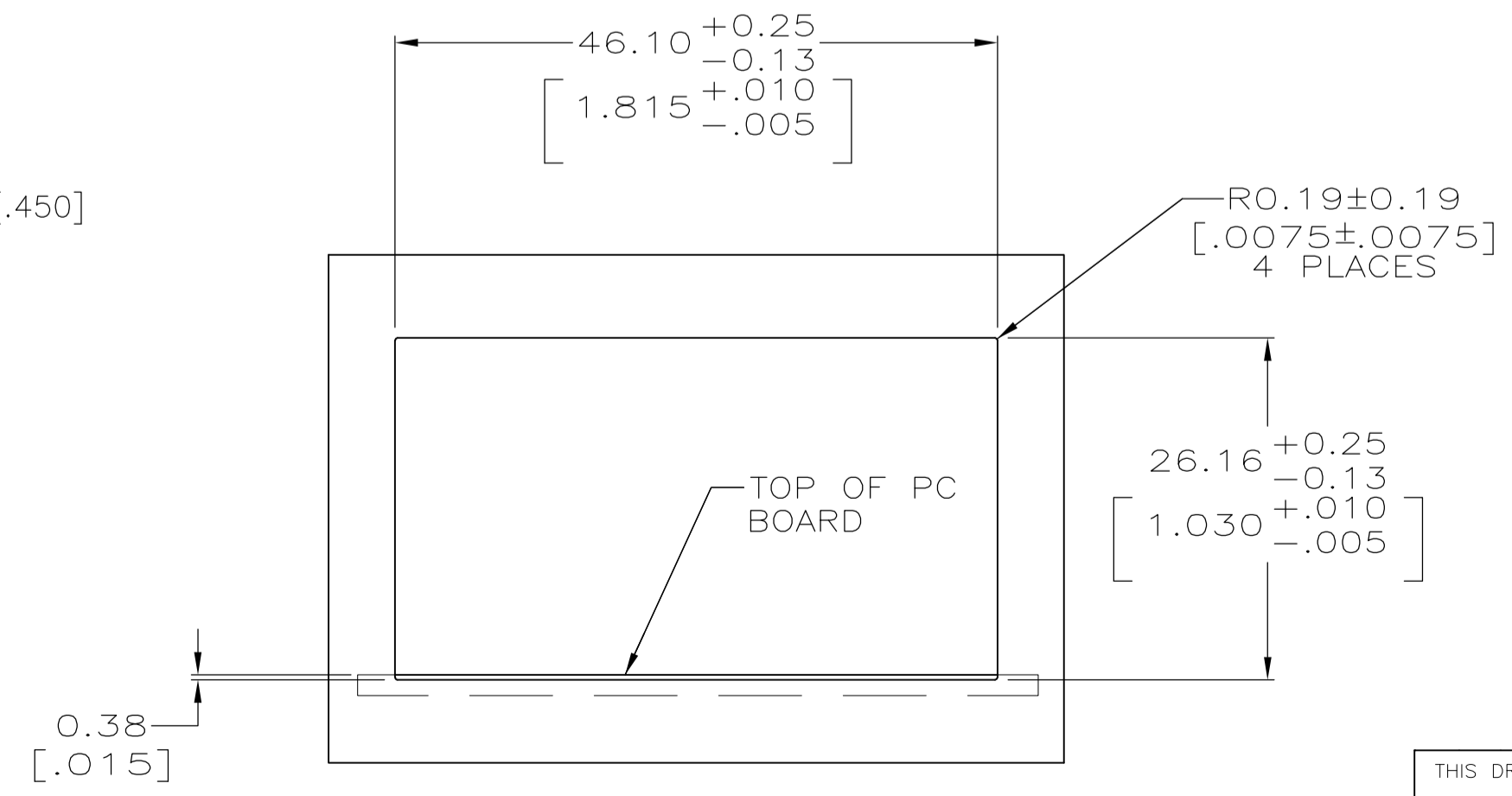
MATERIAL:
 HOUSING - PCT POLYESTER, BLACK, UL94V-0.
 OVERMOLDED TERMINAL ARRAY - PBT, BROWN.
 TERMINALS - 0.33 [.013] THICK PHOS BRONZE PLATED WITH 1.27µm [.000050] MIN THICK HARD GOLD IN LOCALIZED AREA AND 3.81µm [.000150] MIN THICK TIN-LEAD IN SOLDER AREA OVER 1.27µm [.000050] MIN THICK NICKEL UNDERPLATE.
 SHIELD - 0.25 [.010] THICK COPPER ALLOY PLATED WITH 2.03µm [.000080] MIN TIN OVER 1.27µm [.000050] MIN NICKEL.

JACK CAVITY CONFORMS TO FCC RULES AND REGULATIONS, PART 68 SUBPART F.

DATE CODE LOCATED ON REAR OF PART APPROXIMATELY AS SHOWN:
 FIRST 2 DIGITS ARE LAST 2 DIGITS OF YEAR, SECOND 2 DIGITS ARE MANUFACTURING WORK WEEK, LAST DIGIT IS DAY OF WEEK, WITH SUNDAY = 1.



PC BOARD LAYOUT VIEWED FROM COMPONENT SIDE
 SCALE 2:1



SUGGESTED PANEL CUTOUT DIMENSIONS
 SCALE 2:1

THIS DRAWING IS A CONTROLLED DOCUMENT.		DIN T. SPRINKLE 18MAR96	tyco Electronics	Tyco Electronics Corporation Harrisburg, Pa 17105-3608	
DIMENSIONS: mm [INCHES]		CHK C. WHITT 20MAR96		NAME	STACKED MODULAR JACK ASSEMBLY, 2x3 PORT, CAT 5, 8 POSITION, SHIELDED, PANEL GROUND
TOLERANCES UNLESS OTHERWISE SPECIFIED:		APVD J. TONEY 20MAR96	PRODUCT SPEC	108-1163-2	
0 PLC ± -			APPLICATION SPEC	114-2048	
1 PLC ± -			SIZE	A1	
2 PLC ± 0.25(.01)			SCALE	4:1	
3 PLC ± 0.13(.005)			WEIGHT	-	
4 PLC ± -			RESTRICTED TO	-	
ANGLES ± -			CUSTOMER DRAWING	SCALE 4:1 SHEET 1 OF 1 REV D	